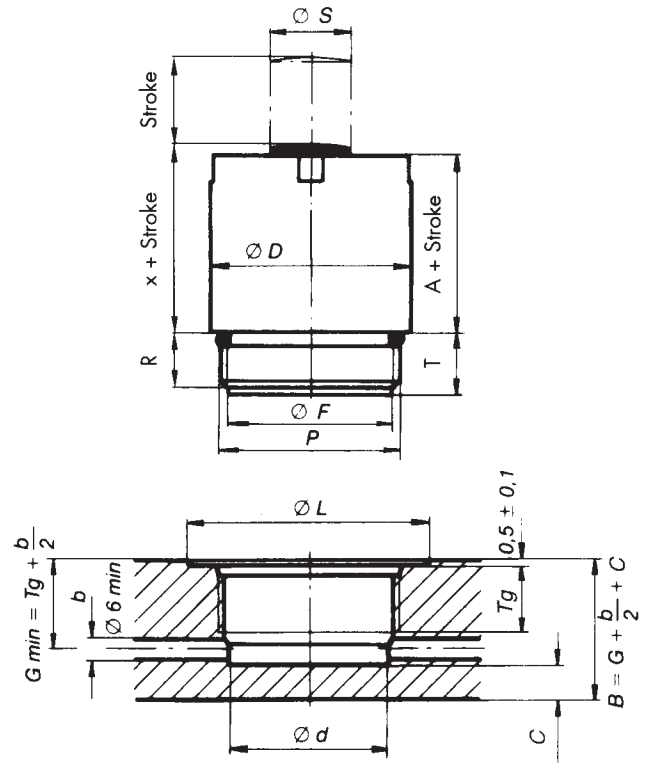


## STANDARD CYLINDERS TYPE CDS

MODEL	NOM. FORCE KN	S T R O K E						
		12.5	25	38	50	75	100	150
CDS 0.3	3.3	•	•	•	•	•	•	
CDS 0.5	5.0	•	•	•	•	•	•	
CDS 1.0	10		•	•	•	•	•	
CDS 2.5	25		•	•	•	•	•	
CDS 3.5	35		•	•	•	•	•	•
CDS 5.5	55		•	•	•	•	•	•
CDS 10	100		•	•	•	•	•	•



MODEL	A	X	ØD	Ød	ØL	ØF	ØS	T	R	P	Tg	Øb min	C min
CDS 0.3	15.3	17.0	32	23	44	22.5	10	16	15	M27 x 2	20	6	6
CDS 0.5	18.8	20.5	42	32	50	31.5	12	15	15	M36 x 2	20	6	8
CDS 1.0	21.8	23.5	54	44	65	42.0	22	15.5	15	M48 x 2	20	6	10
CDS 2.5	21.8	23.5	70	60	80	59.5	28	17	15	M64 x 2	20	6	10
CDS 3.5	31.5	33.5	88	77	92	76.0	28	19.5	18	M80 x 2	23	8	10
CDS 5.5	36.5	38.5	108	96	112	95.0	40	25	20	M100 x 2	25	12	13
CDS 10	41.5	43.5	146	126	151	124.5	50	27	22	M130 x 2	30	12	16

1 kN = 224.8 Pounds Force.

### To order please specify:

- model number
- maximum stroke

Example:

CDS 1.0 x 75