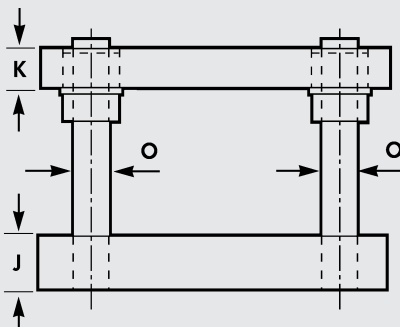


Standard, Two Post Plain Bearing Die Sets

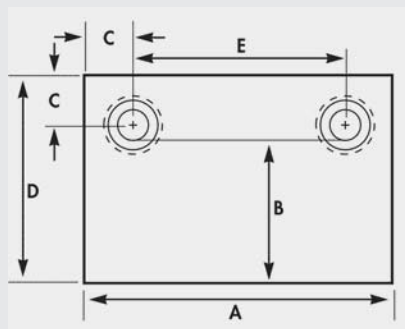
- Standard, in-stock die sets are manufactured with our precision guide pins and standard shoulder bushings.
- Bushing clamp position is for left-to-right feed.
- Please specify pin length (L), quantity needed and catalog number with your order. Unless otherwise specified, standard shoulder length bushings will be supplied.

Order Example

Qty Catalog No. Pin Length
1 2S1006-11 L = 6



side view



top view

In-stock, 2 Post Plain Bearing Die Sets

Die Space		Thickness		O	D	E	C	Catalog Number
L to R A	F to B B	Die Holder J	Punch Holder K					
6"	4"	1	1	1	6	3	1 1/2	2S64-11
6"	6"	1 1/4	1 1/4	1	8	3	1 1/2	2S66-11
8"	6"	1 1/4	1 1/4	1	8	5	1 1/2	2S86-11
8"	6"	1 1/4	1 1/2	1	8	5	1 1/2	2S86-12
8"	6"	1 1/2	1 1/4	1	8	5	1 1/2	2S86-21
8"	6"	1 1/2	1 1/2	1	8	5	1 1/2	2S86-22
10"	6"	1 1/4	1 1/4	1	8	7	1 1/2	2S1006-11
10"	6"	1 1/4	1 1/2	1	8	7	1 1/2	2S1006-12
10"	6"	1 1/2	1 1/4	1	8	7	1 1/2	2S1006-21
10"	6"	1 1/2	1 1/2	1	8	7	1 1/2	2S1006-22
10"	10"	1 1/2	1 1/2	1 1/4	12 1/4	6 3/4	1 5/8	2S1010-11
10"	10"	1 1/2	2	1 1/4	12 1/4	6 3/4	1 5/8	2S1010-12
10"	10"	2	1 1/2	1 1/4	12 1/4	6 3/4	1 5/8	2S1010-21
10"	10"	2	2	1 1/4	12 1/4	6 3/4	1 5/8	2S1010-22
12"	6"	1 1/2	1 1/2	1 1/4	8 1/4	8 3/4	1 5/8	2S1206-11
12"	6"	1 1/2	2	1 1/4	8 1/4	8 3/4	1 5/8	2S1206-12
12"	6"	2	1 1/2	1 1/4	8 1/4	8 3/4	1 5/8	2S1206-21
12"	6"	2	2	1 1/4	8 1/4	8 3/4	1 5/8	2S1206-22
14"	6"	1 1/2	1 1/2	1 1/2	8 1/2	10 1/2	1 3/4	2S1406-11
14"	6"	1 1/2	2	1 1/2	8 1/2	10 1/2	1 3/4	2S1406-12
14"	6"	2	1 1/2	1 1/2	8 1/2	10 1/2	1 3/4	2S1406-21
14"	6"	2	2	1 1/2	8 1/2	10 1/2	1 3/4	2S1406-22
14"	10"	1 1/2	1 1/2	1 1/2	12 1/2	10 1/2	1 3/4	2S1410-11
14"	10"	1 1/2	2	1 1/2	12 1/2	10 1/2	1 3/4	2S1410-12
14"	10"	2	1 1/2	1 1/2	12 1/2	10 1/2	1 3/4	2S1410-21
14"	10"	2	2	1 1/2	12 1/2	10 1/2	1 3/4	2S1410-22
16"	10"	1 1/2	1 1/2	1 1/2	12 1/2	12 1/2	1 3/4	2S1610-11
16"	10"	1 1/2	2	1 1/2	12 1/2	12 1/2	1 3/4	2S1610-12
16"	10"	2	1 1/2	1 1/2	12 1/2	12 1/2	1 3/4	2S1610-21
16"	10"	2	2	1 1/2	12 1/2	12 1/2	1 3/4	2S1610-22
18"	8"	1 1/2	1 1/2	1 1/2	10 1/2	14 1/2	1 3/4	2S1808-11
18"	8"	1 1/2	2	1 1/2	10 1/2	14 1/2	1 3/4	2S1808-12
18"	8"	2	1 1/2	1 1/2	10 1/2	14 1/2	1 3/4	2S1808-21
18"	8"	2	2	1 1/2	10 1/2	14 1/2	1 3/4	2S1808-22
20"	12"	1 1/2	1 1/2	1 1/2	14 1/2	16 1/2	1 3/4	2S2012-11
20"	12"	1 1/2	2	1 1/2	14 1/2	16 1/2	1 3/4	2S2012-12
20"	12"	2	1 1/2	1 1/2	14 1/2	16 1/2	1 3/4	2S2012-21
20"	12"	2	2	1 1/2	14 1/2	16 1/2	1 3/4	2S2012-22