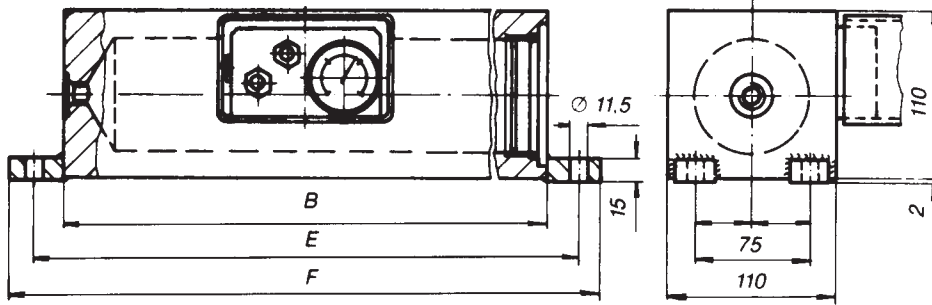


**SMALL TANKS TYPE NP - T**

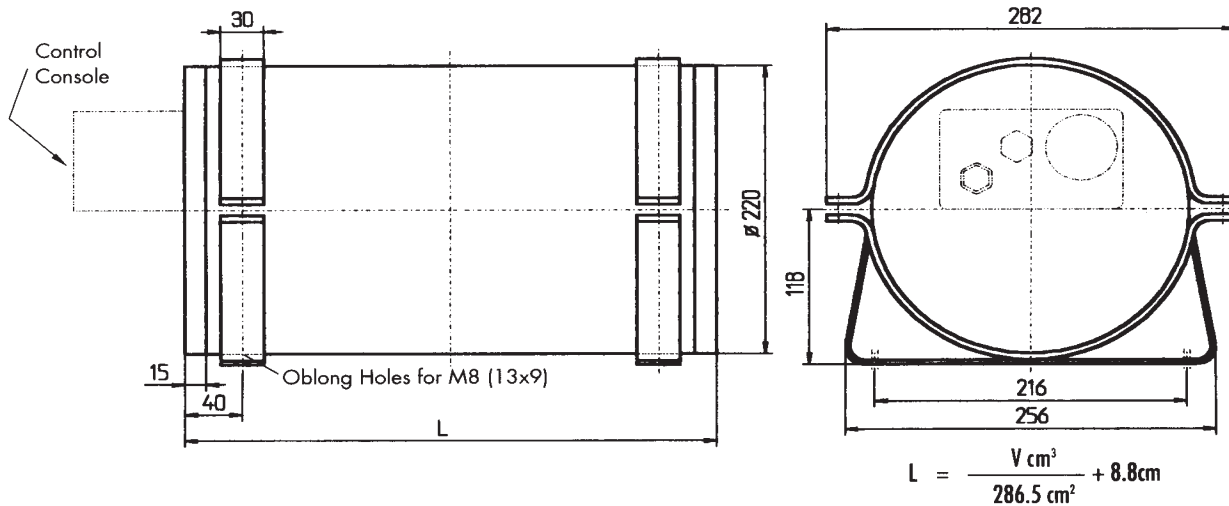


MODEL	VOLUME LITRES	B	E	F
NP-T 102	0.52	160	200	230
NP-T 103	1.15	300	340	370

When ordering please furnish a sketch showing the location of the safety plug and tapped connecting holes.

**THREADED TANKS TYPE TDN-R (UP TO 20 LITRES)**

External tanks are required a) when the manifold plate volume is not sufficient to limit the pressure increase to 10%, or b) when pad-mounted cylinders are used. Threaded tanks are quickly produced at a competitive price, and they provide maximum operational safety.



The connection fittings and the control unit can only be assembled on the face of the end cap. For each 5 litres of gas volume one 1/2" - 20 BS 150 safety plug must be used. If the control console is mounted to the tank, its internal safety plug can be counted as one plug.

**To order please specify:**

- model number
- volume in litres

**Example:**

TDN-R 10